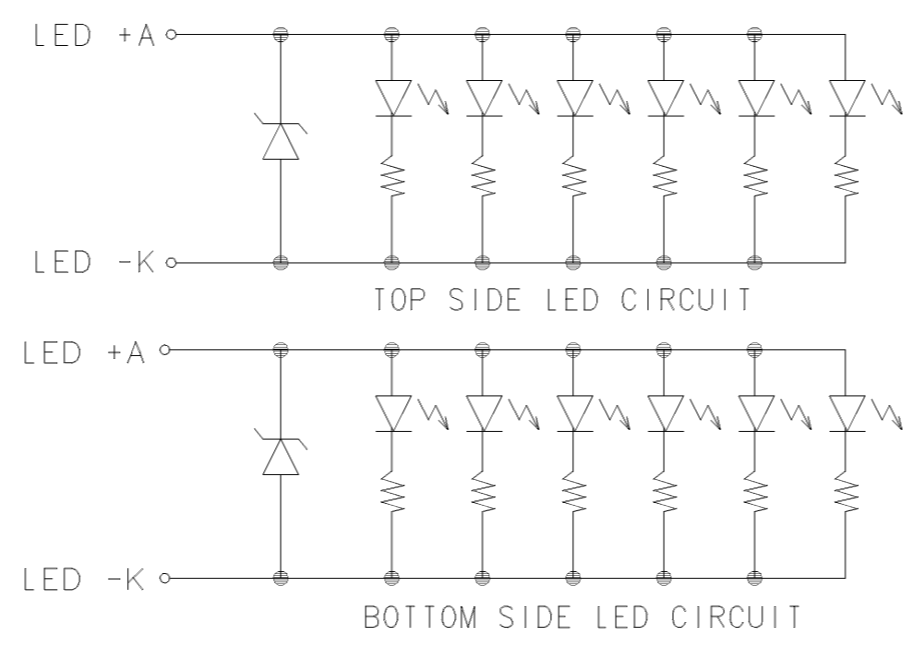
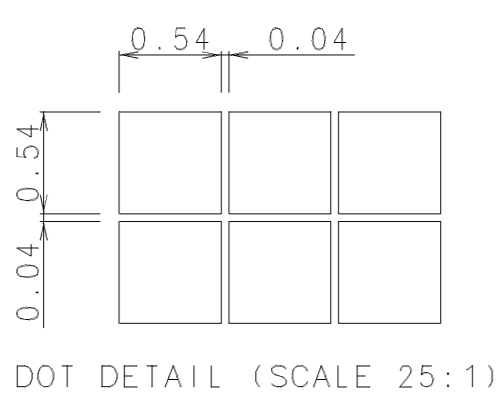


**PIN ASSIGNMENT**

CN1	
PIN NO.	SYMBOL
1	CS1
2	CS2
3	RES
4	A0
5	WR(R/W)
6	RD(E)
7	D0
8	D1
9	D2
10	D3
11	D4
12	D5
13	D6
14	D7
15	VSS
16	VDD
17	VOUT
18	V3
19	LED +A
20	LED -K



**NOTES:**

1. Do not use materials which are prohibited by RoHS.
2. The dimensions with the mark (•) are controlled as a particular characteristic.

MEASURE	TOLERANCE			THIRD ANGLE PROJECTION	DATE	OPTREX CORPORATION
	A	Ⓟ	C			
L ≤ 16	±0.1	±0.3	±1	UNIT	Feb.28'05	TITLE
16 < L ≤ 63	±0.2	±0.5	±1.5		mm	
63 < L ≤ 250	±0.3	±0.8	±2	SCALE	CHECKED	CODE
250 < L ≤ 500	±0.5	±1.2	±3			
500 < L	±0.8	±2	±4	DRAWN	DWG NO	F-51854AB base
ANGLE	±1°	±5°	±10°			